



EquaScan hMIU^{RF}

Radio module for automated data collection of Itron UltraMaXX thermal energy meters

The intelligent EquaScan radio module has been developed for automated data collection from Itron UltraMaXX thermal energy meters. It is a component from the Itron EquaScan System and enables data to be collected quickly and securely from thermal energy consumers in a mobile and central way.

FEATURES

- » Bidirectional, year-round radio communication (WB, FN)
 - 24 h / 365 d
 - WalkBy / Fixed Net
- » Can be refitted at any time
- » Easy to install
- » Comprehensive data protocol
- » Reliable and secure data radio transmission

Compatibility

The EquaScan radio module is compatible with all standard versions of Itron UltraMaXX thermal energy meters.

- » Easy to install, even on previously installed meters
- » Mounting without any additional tools (Plug & Play)

Secure data transmission

The bidirectional radio system transfers the data at 868 MHz. After the fixed date a brief protocol is sent every minute for 56 days. On the other days in the year this protocol is sent every five minutes. This feature enables full access to the data all day long throughout the year. The bidirectional system also allows additional data to be specifically requested for analyses and evaluation.

Continuous data collection

Through the optical interface, the hMIU^{RF} automatically uploads all data from the UltraMaXX. Frequent uploads ensure synchronization between the UltraMaXX and the radio module. Reliable consumption data is the basis for a correct invoice.

The advantages of the periodical data upload through the optical interface are obvious:

- » UltraMaXX data
- » Tamper-proof
- » The accuracy of the meter's measurements is not affected by the module

Comprehensive data protocol

The brief protocol provides the following information:

- » Current meter indexes
- » Fixed date value
- » Identification number
- » Configuration data
- » Error reports

Other data can be retrieved optionally

- » 18 end-of-month and mid-of-month energy indexes
- » Peak values (P, Q, Tin)
- » Comprehensive data log

Innovative error management

Intelligent and innovative error management ensures the system's secure operation and the traceability of the occurred errors. This means that the consumption data can be reliably used for invoicing.

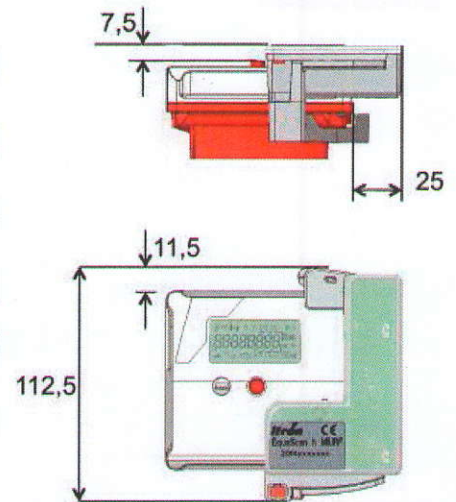


Technical data

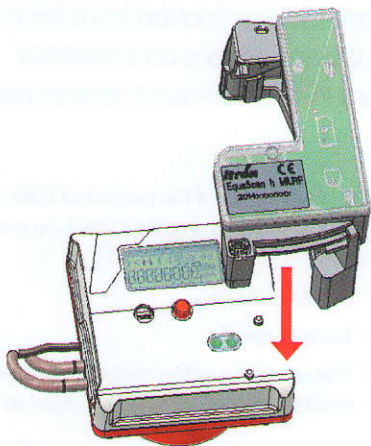
Characteristics	
Communication with meter	Optical interface with automatic data upload and dismount detection
Power supply	3V battery (lithium)
Battery life time	10 years + 1 year reserve
Operating temperature range	+5°C to +55°C
Protection class	IP 54 (installed)
Data memory	18 end-of-month indexes and mid-of-month indexes
Parameterization	Via an inductive interface
Compatible devices	Itron UltraMaXX (standard housing)

Radio specifications	
Protocol	EN 13757-3/-4 wireless M-Bus
Operating mode	C2 Mode
Frequency band	Tx 868.95 MHz Rx 869.525 MHz
Transceiver parameters	Transmitter: 9 dBm Receiver: -100 dBm

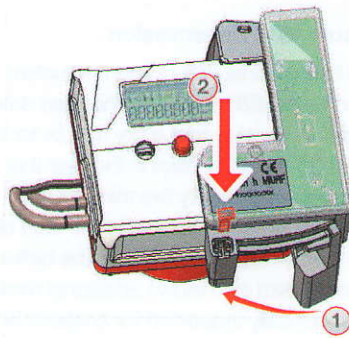
Dimensions



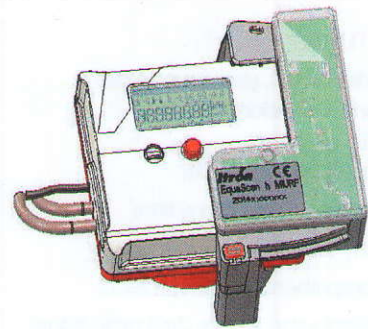
EASY TO INSTALL PLUG & PLAY



Plug



Lock and Seal



Play

Itron

Join us in creating a more **resourceful world**.
To learn more visit itron.com/de

Auch wenn Itron ständig bemüht ist, den Inhalt des Marketingmaterials so aktuell und zutreffend wie möglich zu gestalten, übernimmt Itron keine Verantwortung für die Richtigkeit, Vollständigkeit oder Eignung dieses Materials und schließt ausdrücklich jede Haftung für Fehler und Auslassungen aus. Bezüglich dieses Marketingmaterials wird weder explizit noch implizit oder statutarisch irgendeine Gewähr übernommen, einschließlich, aber nicht beschränkt auf keinerlei Garantien zur Nichtverletzung von Rechten und Ansprüchen Dritter, zur Gebrauchstauglichkeit und Eignung für einen bestimmten Zweck. © Copyright 2014 Itron. All rights reserved. Technischer Stand: 09/2014

ALLMESS GMBH

Am Voßberg 11
23758 Oldenburg i.H.
Germany

Tel: +49 (0)43 61/62 5-0
Fax: +49 (0)43 61/62 5-250